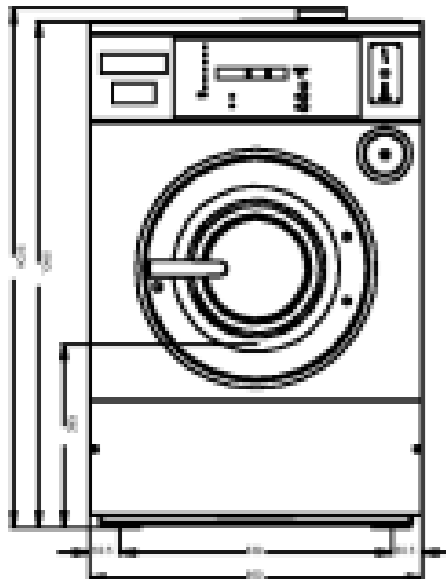
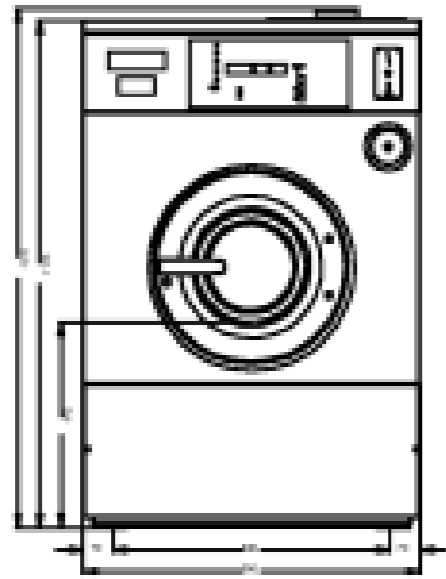


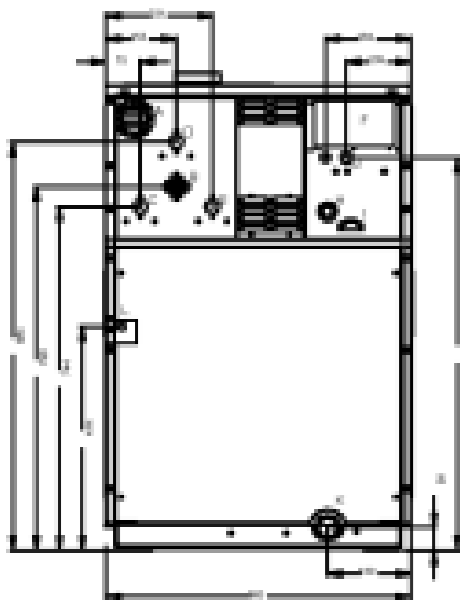
front view 64-94



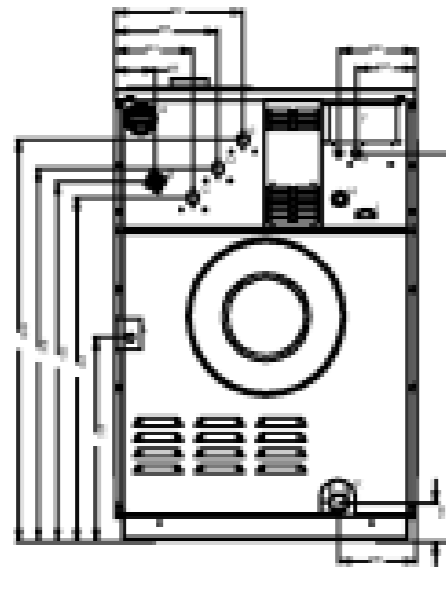
front view 131-164



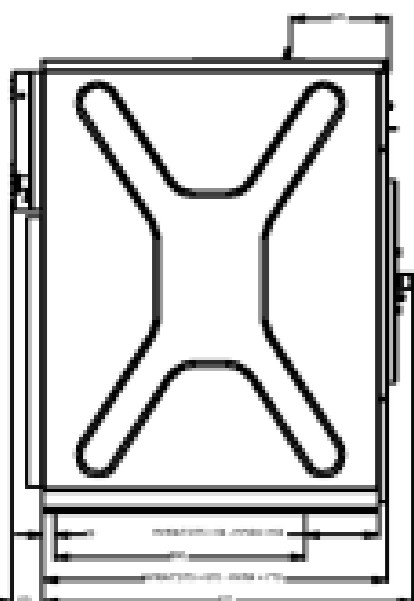
rear view 64-94



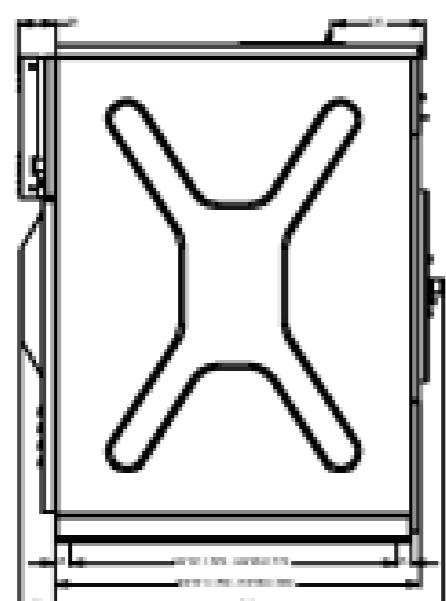
rear view 131-164



side view 64-94



side view 131-164



- A. Ventilation
- B. Liquid soap connections
- C. Hard water connection
- D. Warm water connection
- E. Soft water connection
- F. Connection clamps
- G. Electrical connection
- H. Emergency button
- I. Ventilation
- J. Bolt pattern for fixation
- K. Drain valve
- L. Steam connection

## TECHNICAL SPECIFICATIONS HW 64-72-94-131-164

		HW 64	HW 72	HW 94	HW 131	HW 164
Cylinder:	Capacity 1/10	6,5 kg	7,63 kg	9,5 kg	13,2 kg	16,5 kg
	Diameter	530 mm	530 mm	530 mm	650 mm	650 mm
	Depth	295 mm	330 mm	440 mm	400 mm	500 mm
	Perforations diameter	3 mm	3 mm	3 mm	3 mm	3 mm
Diam. door opening		300 mm	300 mm	300 mm	300 mm	300 mm
Height to door handle		505 mm	505 mm	505 mm	605 mm	605 mm
Speed:	High spin	500 -1000 rpm	500 -1000 rpm	500 -1000 rpm	500 -1000 rpm	500 -1000 rpm
	Low spin	250 -500 rpm	250 -500 rpm	250 -500 rpm	250 -500 rpm	250 -500 rpm
	Distribution	85 rpm	85 rpm	85 rpm	85 rpm	85 rpm
	Wash	10-50 rpm	10-50 rpm	10-50 rpm	10-50 rpm	10-50 rpm
G-force		74/296	74/296	74/296	88/363	88/363
Kinetic energy of the cylinder		1186 N	1386 N	1730 N	2592 N	3240 N
Dynamic bottom load		600 N / 16 Hz	700 N / 16 Hz	750 N / 16 Hz	1000 N / 16 Hz	1200 N / 16 Hz
Power motor		750 W	750 W	750 W	1500 W	1500 W
Water pressure		3 - 5 bars	3 - 5 bars	3 - 5 bars	3 - 5 bars	3 - 5 bars
Hot water T° (boiler fed)		80°C	80°C	80°C	80°C	80°C
Warm water need (boiler fed machine)		55L/cycle	65L/cycle	80L/cycle	100L/cycle	120L/cycle
Diameter drain		50 mm	50 mm	50 mm	50 mm	50 mm
Drain by gravity		80L/min	80L/min	80L/min	80L/min	80L/min
Steam pressure		6 to 10 kg	6 to 10 kg	6 to 10 kg	6 to 10 kg	6 to 10 kg
Weight gross/netto		222/200 kg	225/203 kg	230/208 kg	317/287 kg	377/347 kg
Packing dimensions	Height	1140 mm	1140 mm	1250 mm	1310 mm	1310 mm
	Width	740 mm	740 mm	740 mm	850 mm	850 mm
	Depth	840 mm	840 mm	950 mm	940 mm	1080 mm

	POWER SUPPLY – FUSES							
	220V 3 AC	380V tri + N	220V 3 AC	380V tri + N	220 V 3 AC	380 V tri + N	220 V 3 AC	380 V tri + N
Boiler fed	16 A	16 A	16 A	16 A	16 A	16 A	16 A	16 A
Steam heating 16 A	16 A	16 A	16 A	16 A	16 A	16 A	16 A	16 A
Electrical heating 4,2 kW	16 A	16 A	16 A	16 A	16 A	16 A		
Electrical heating 6 kW	16 A	16 A	16 A	16 A	16 A	16 A		
Electrical heating 9 kW	25 A	16 A	25 A	16 A	25 A	16 A		
Electrical heating 12 kW			40 A	20 A	40 A	20 A	40 A	20 A
Electrical heating 15 kW					50 A	25 A	50 A	25 A
Electrical heating 18 kW					50 A	32 A	50 A	32 A
Electrical heating 21 kW					40 A		40 A	
Electrical heating 24 kW					40 A		40 A	

All specifications subject to change without notice.



For detailed technical drawings please consult our website [www.ipso.be](http://www.ipso.be)



IPso - LSG nv, Nieuwstraat 146, B-8560 Wevelgem (Belgium), T +32 56 41 20 54, F +32 56 41 86 74, [info@ipso.be](mailto:info@ipso.be)  
[www.ipso.be](http://www.ipso.be) LSG

HW94-1012004

PROFESSIONAL LAUNDRY EQUIPMENT



HW 64  
HW 72  
HW 94  
HW 131  
HW 164





HW 64 - HW 72 - HW 94 - HW 131 - HW 164

IPSO: G-DRIVING THE INDUSTRY

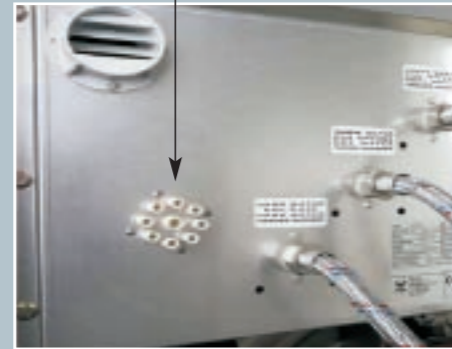
**Door**

- Diameter 300 mm: easy loading & unloading
- Over-dimensioned hinges
- Stainless steel with a matt finish!



**PVC connection**

- Simple and efficient connection of the soap pumps



**Connection from the soap box to the tub**

- Connection at the back of the tub
- No aggressive detergents directly on the linen
- Less noise

**Doorhandle**

- A new safe and comfortable doorhandle
- Interchangeable with the old model



**MICRO 20**

- With plugs: easy to service
- Up to 99 programs
- Temperature and water level freely programmable
- Time delay start-up feature

**MICRO 20 coin**

- Up to 20 programs

**SIGMA**

- Same features as Micro 20
- Infra-red port: easy downloading of programs from laptop
- Serial port RS 485: machines can be put in a network
- 1000 programmable sections divided over 100 programs



**SIGMA coin**

- Alarm can be activated



**PS40**

- Freely programmable
- 10 standard programs
- 40 freely programmable wash programs
- Temperature, water level, cycle time and rpm freely programmable
- Connection up to 12 pumps for liquid soap
- Control of 2 drain valves (option)
- Infra-red port facilitates the downloading of programs

**Standard frequency control**

- Washing and spin speeds freely programmable
- Rotation and stop speed freely programmable from 0,1 till 60 sec
- Low sound level
- Less unbalances
- Less current peaks



**Bearing house**

- Cast iron bearing house
- Long life span of the bearings
- Axial sealing made out of graphite



**Speed sensor**

- Exact rpm
- Door can immediately be opened as soon as speed is "0"

